



SOLID SPIN  
CATALOGUE

**seos**

# STUDIO

A small award winning Nordic design studio that searches for the beauty and potential in everyday objects through experimental design processes.

# SOLID SPIN LAMPS

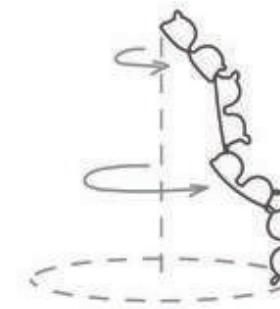
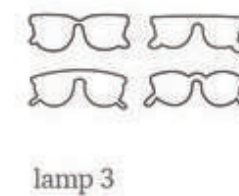
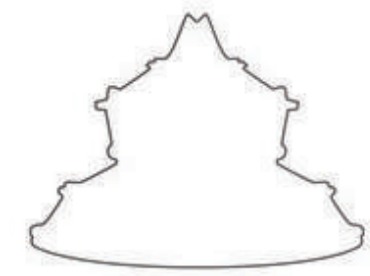
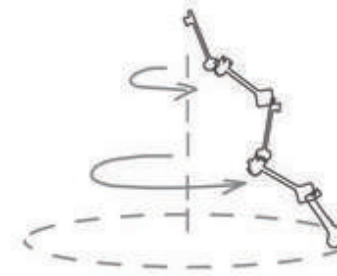
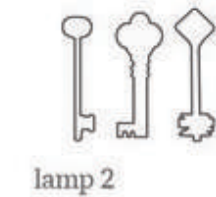
The Solid Spin Lamp collection grew out of series of experiments made with everyday objects that can be found in everyone's household. These elements were shoes, reading glasses, books, mugs, jugs, forks, remotes, etc.

I was fascinated with the shapes that could be created by simply spinning these objects. I took pictures and video with a slow shutter in order to capture these new shapes. These experiments resulted in fragile, ghost like shapes at different stages that were built up of layers.

I wasn't quite satisfied with the results and started to wonder how could I make the outlines more clear and the shapes more solid.

I was interested in strength, not fragility and therefore I decided to see what happened if I moved an object around its' own axis and then an axis of my own choice. I tested objects by themselves and also in groups where they were stacked on top of each other. This resulted in interesting solid revolutionary shapes with great outer detail. The possibilities are endless.

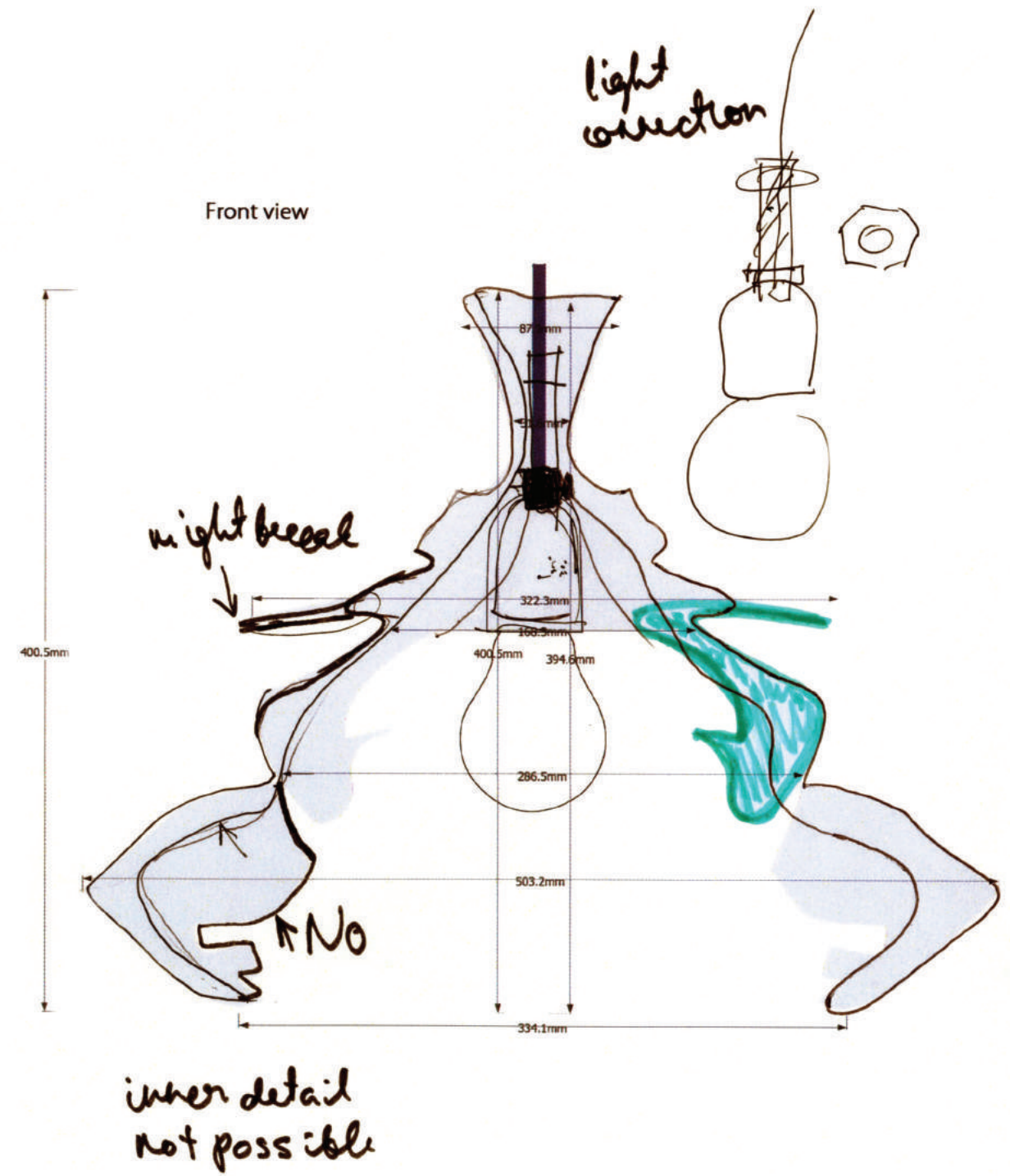
Concept:



# SHOES LAMP



23 glossy turquoise





**Model:** Shoes lamp

**Material:** Ceramic and porcelain mix with glaze

**Size:** Height: 43 cm / Width: 41 cm

**Weight:** 6,9 kg



04 glossy white

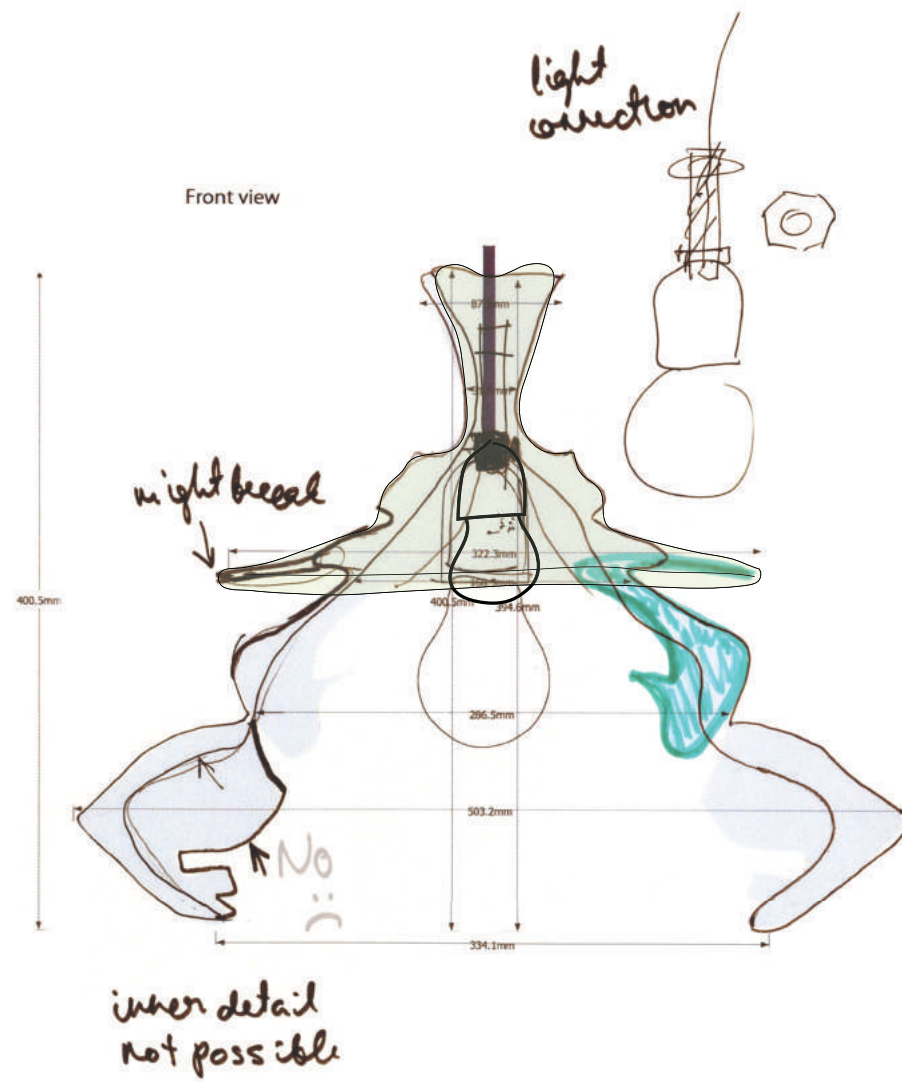


49 glossy peacock blue



05 matt snow white

# small SHOES LAMP



60 glossy pink chic



**Model:** Small shoes lamp

**Material:** Ceramic and porcelain mix with glaze

**Size:** Height: 28 cm / Width: 23 cm

**Weight:** 1,3 kg





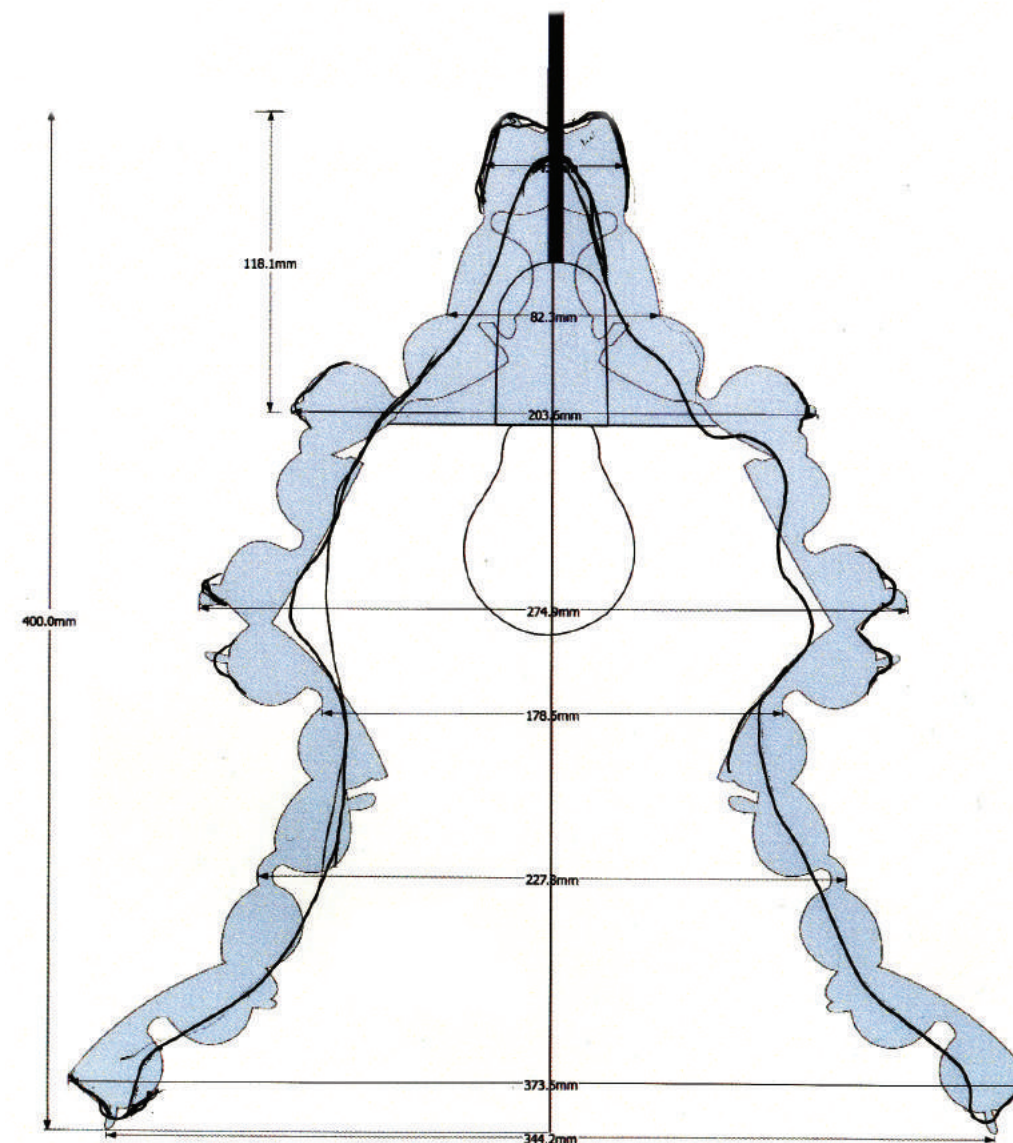




# SUNGLASSES LAMP



49 glossy peacock blue



**Model:** Sunglasses lamp

**Material:** Ceramic and porcelain mix with glaze

**Size:** Height: 43 cm / Width: 42 cm

**Weight:** 6,2 kg



04 glossy white



60 glossy pink chic



12 glossy cashmere



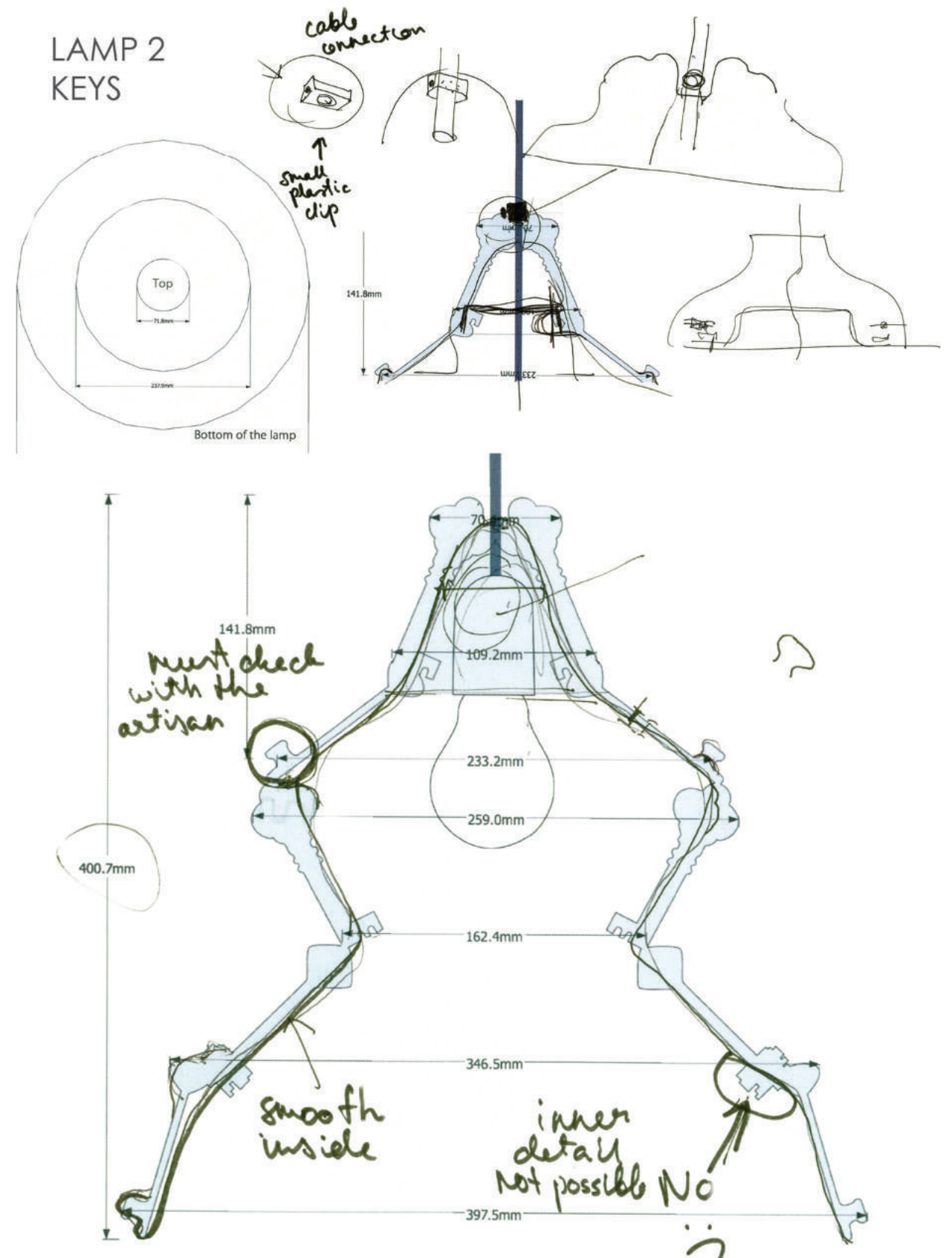




# KEYS LAMP



04/63 glossy platinum





**Model:** Keys lamp

**Material:** Ceramic and porcelain mix with glaze

**Size:** Height: 29 cm / Width: 42 cm

**Weight:** 5,4 kg



04 glossy white



27 glossy stone grey

49 glossy peacock blue







27 glossy stone grey



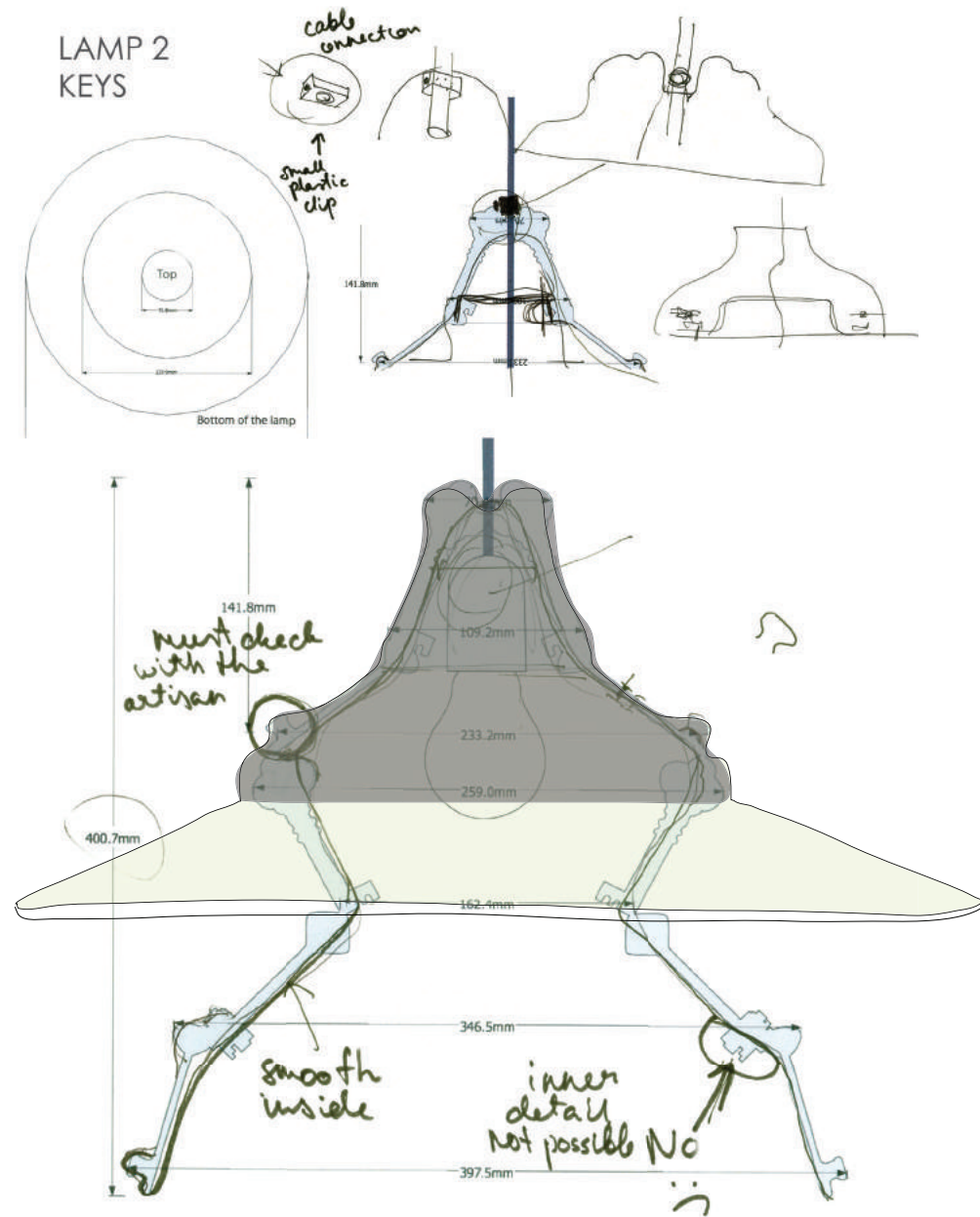
**Model:** Small keys lamp

**Material:** Ceramic and porcelain mix with glaze

**Size:** Height: 12 cm / Width: 23 cm

**Weight:** 1,3 kg

# small KEYS LAMP



49 glossy peacock blue



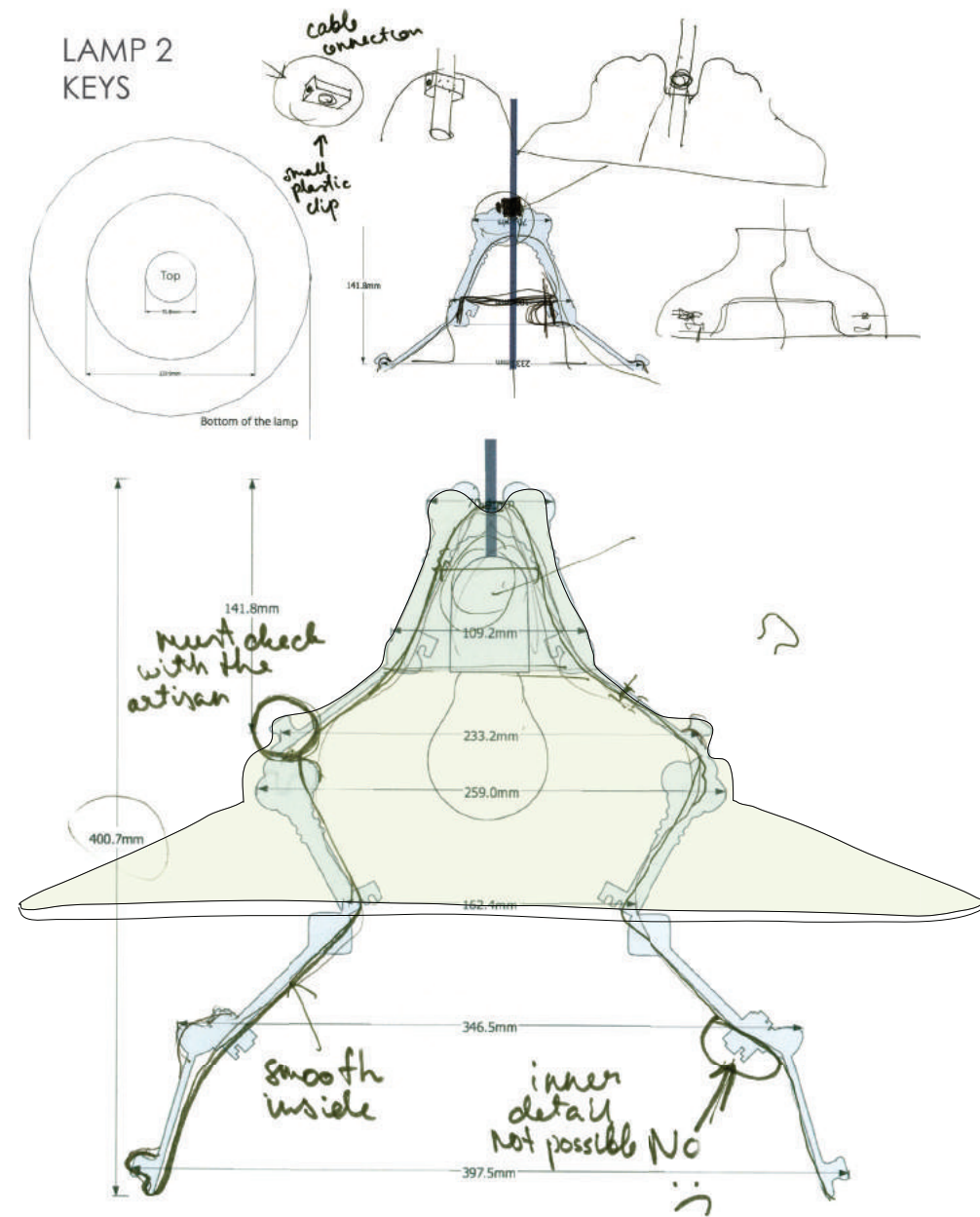


**Model:** Medium keys lamp

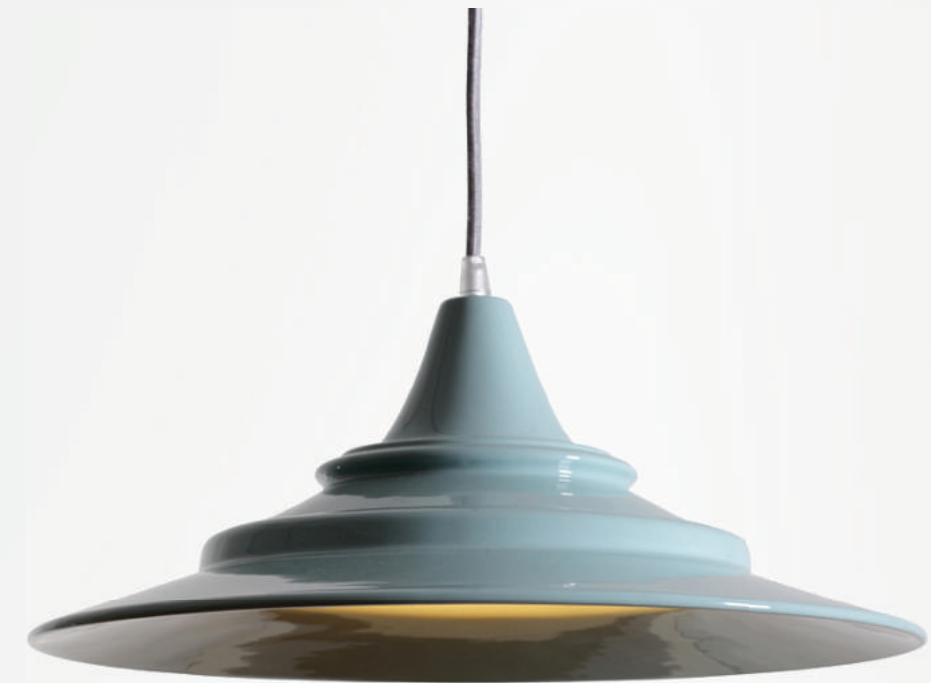
**Material:** Ceramic and porcelain mix with glaze

**Size:** Height: 13 cm / Width: 35 cm

**Weight:** 1,9 kg



# medium KEYS LAMP



41 glossy vintage green





Solid colour glaze



38  
matt aloe



41  
glossy vintage green



42  
glossy tundra green



49  
glossy peacock blue



23  
glossy turquoise

Precious metal glaze



04/29  
glossy gold



16/29  
matt gold



04/92  
glossy pink gold



04  
glossy white



27  
glossy stone grey



52  
glossy greyhound



12  
glossy cashmere



60  
glossy pink chic



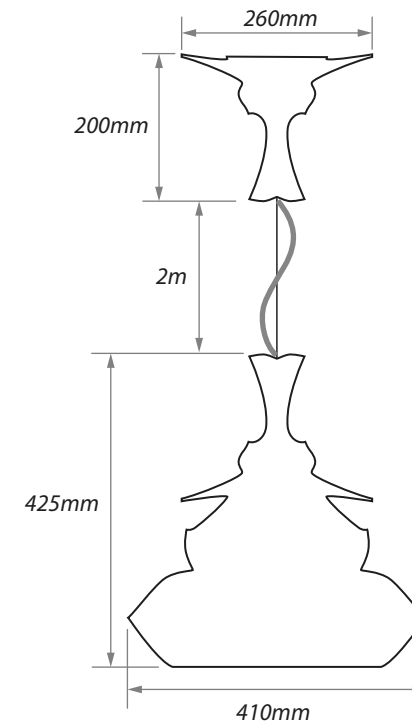
04/63  
glossy platinum



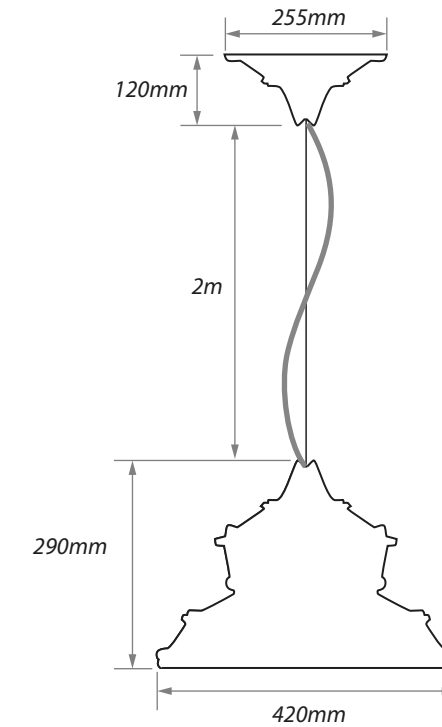
16/63  
matt platinum



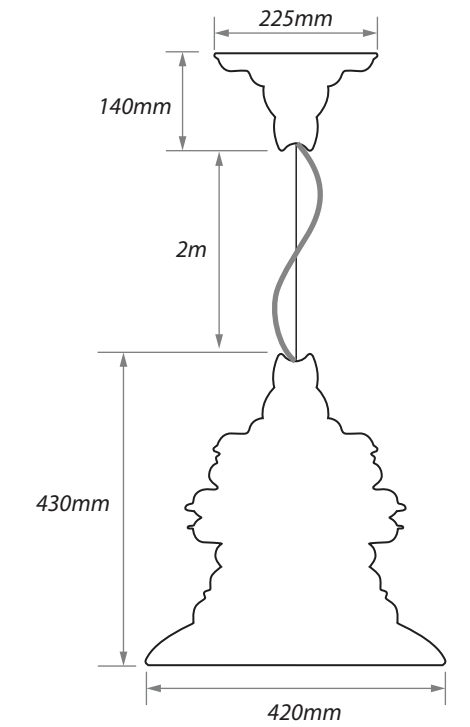
04/91  
glossy bronze



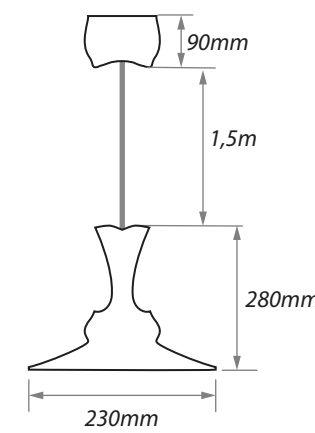
Weight 6,9kg



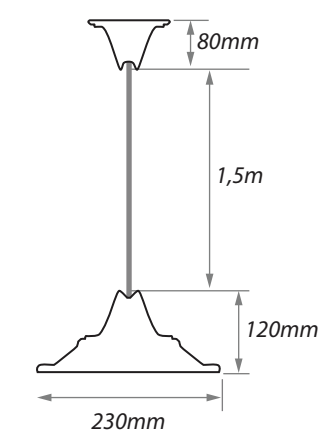
Weight 5,4kg



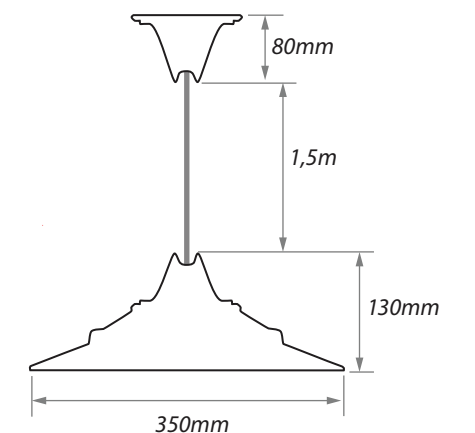
Weight 6,2kg



Weight 1,3kg



Weight 1,3kg



Weight 1,9kg

E27 socket  
 3-cord grey textile cable  
 Recommended wattage 1X MAX 60-90W  
 AC220V-240V 50Hz-60Hz  
 Indoor use only

# seos

SEOS valgustus  
[www.seoslight.com](http://www.seoslight.com)  
Tallinn, Estonia