

Speed of sound meets speed of light. Shape of the light was first and then the luminaire housing came out of this objective. When light is off – only thin line is on the wall, with light switched on – new pattern appears. Horizontal or vertical installation.

Disainer: Tõnis Vellama
Aasta: 2018

Made in
Estonia



IP20 CE

Technical data

Family: Supersonic

Models: SS-10WM-B-xxx / SS-10WM-W-xxx

Voltage (V): 220~240

Frequency (Hz): 50~60

Color temperature (K): 2700 / 3000 / 4000

Power LED (W): 6

Dimming: optional

IP class: 20

Neto weight (kg): 0.3

Gross weight (kg): 0.57

Material

Aluminium, steel



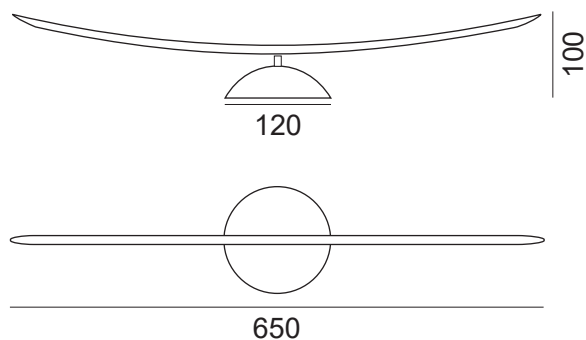
Finishes

● Black RAL 9005 (SS-10WM-B-xxx)

○ White RAL 9003 (SS-10WM-W-xxx)

Please note that RAL may vary slightly due to material speciality

Product drawing



Please note that some dimensions may vary slightly due to manufacturing tolerances.